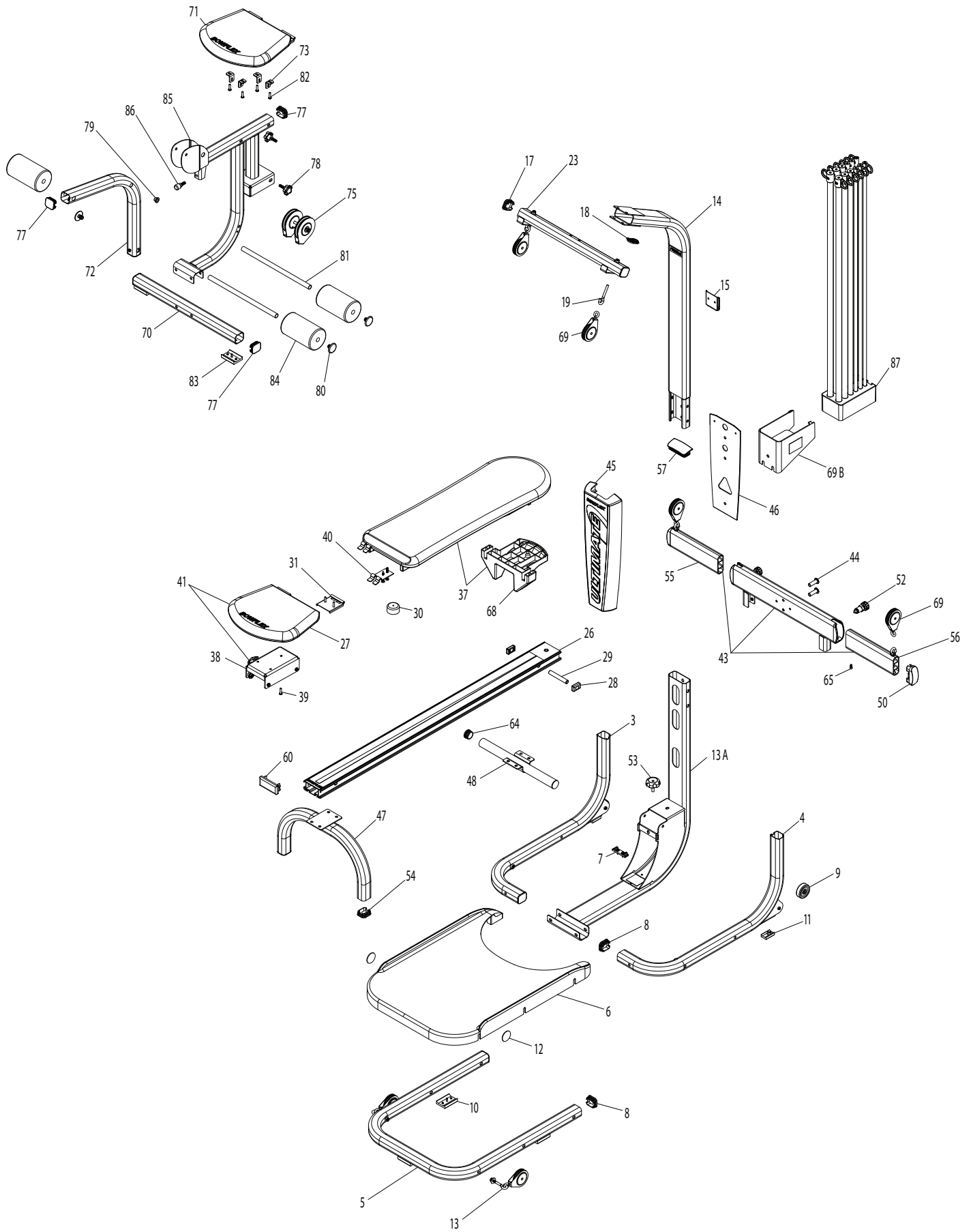
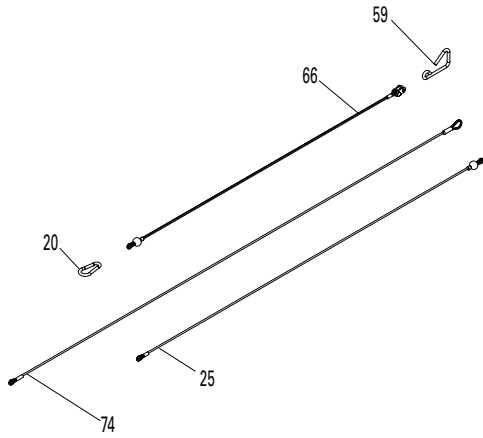


# BOWFLEX ULTIMATE

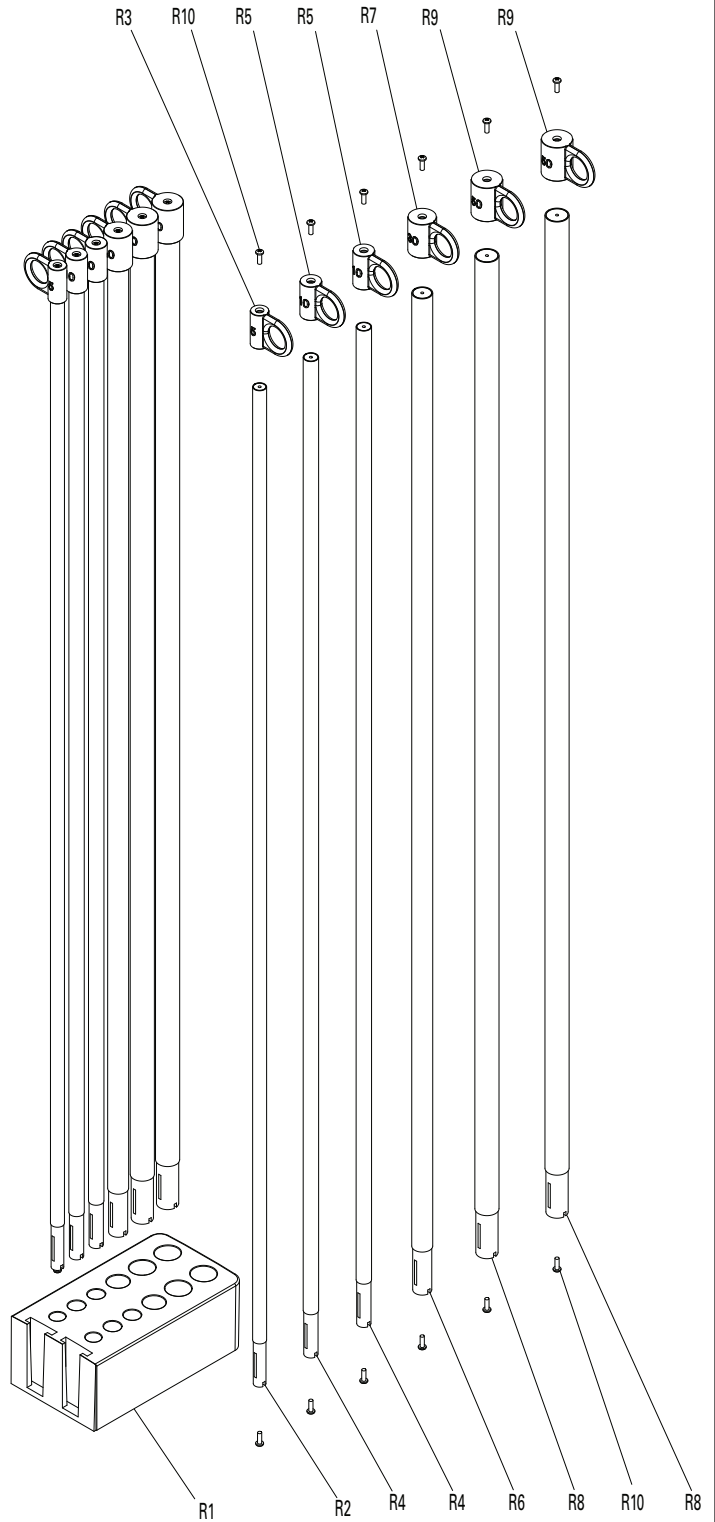


# BOWFLEX ULTIMATE

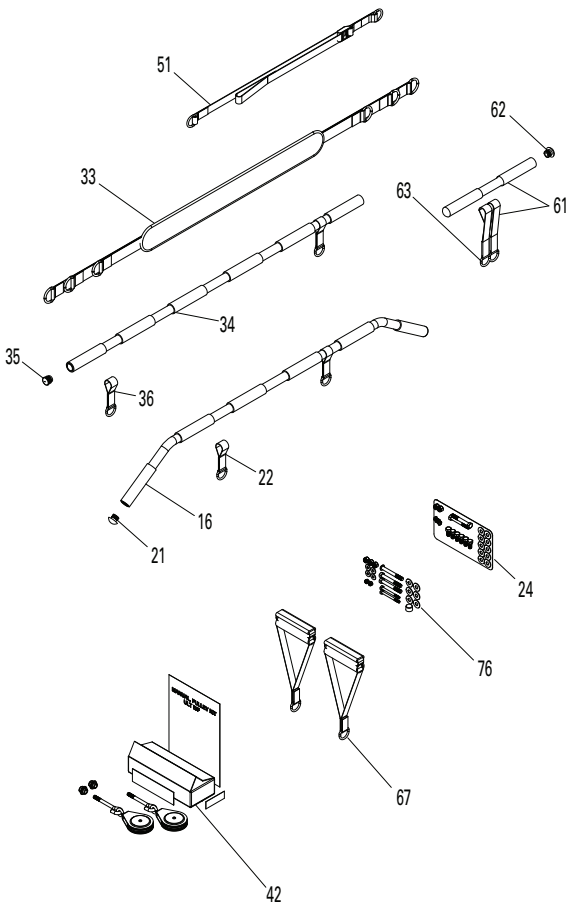
## CABLES



## 310# ROD PACK

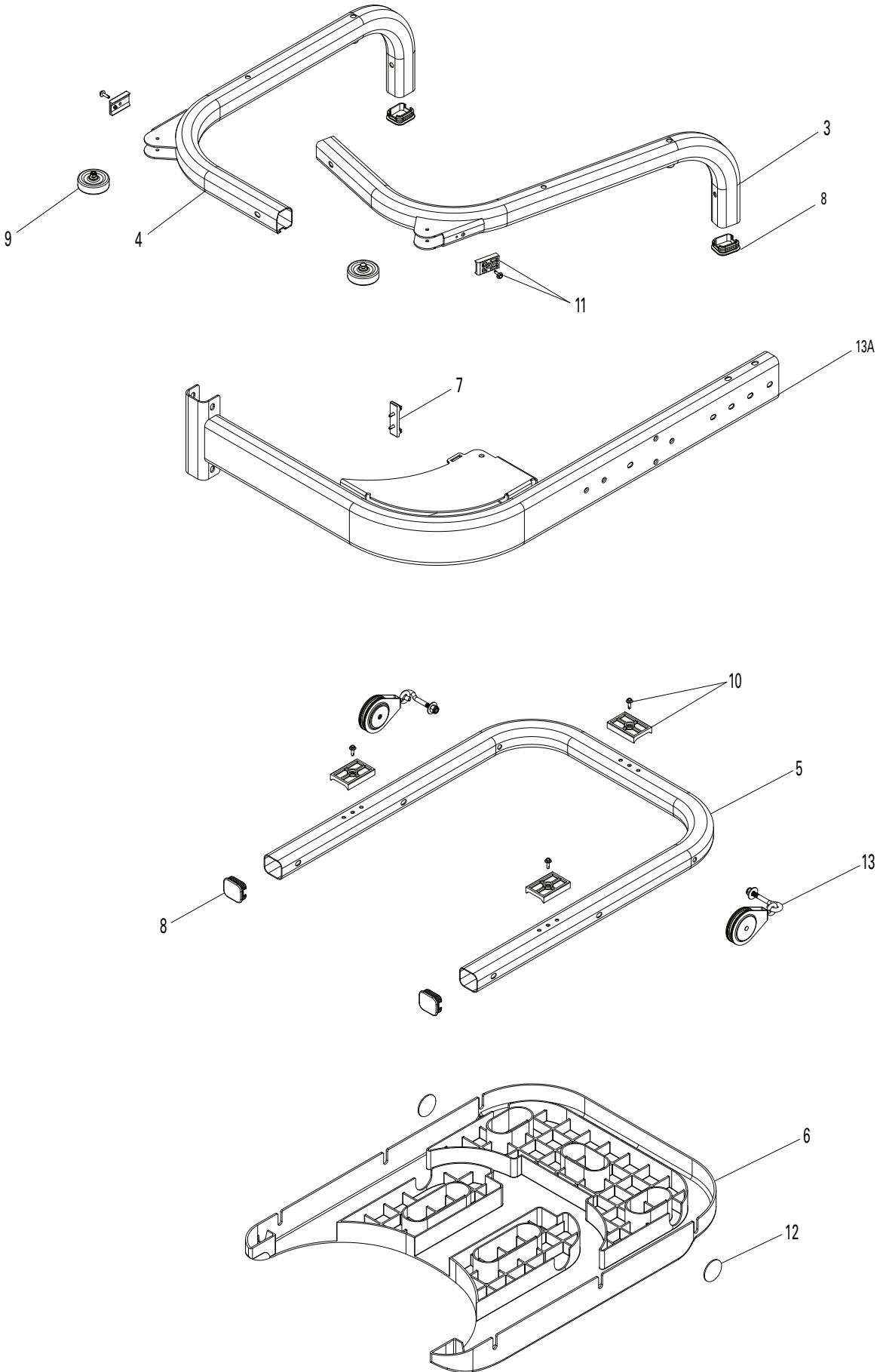


## ACCESSORIES



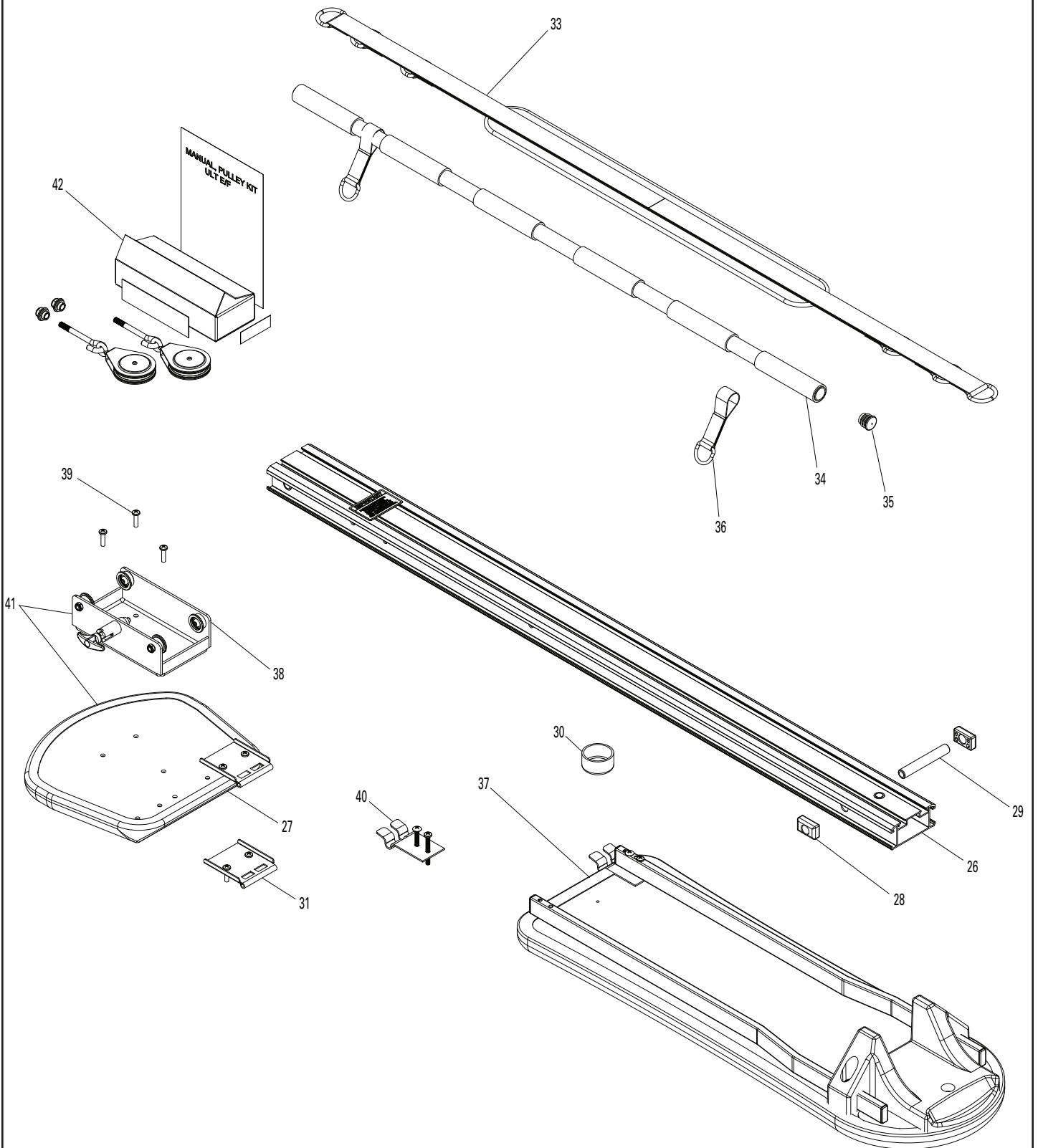
# BOWFLEX ULTIMATE

## ULTIMATE BOX 2



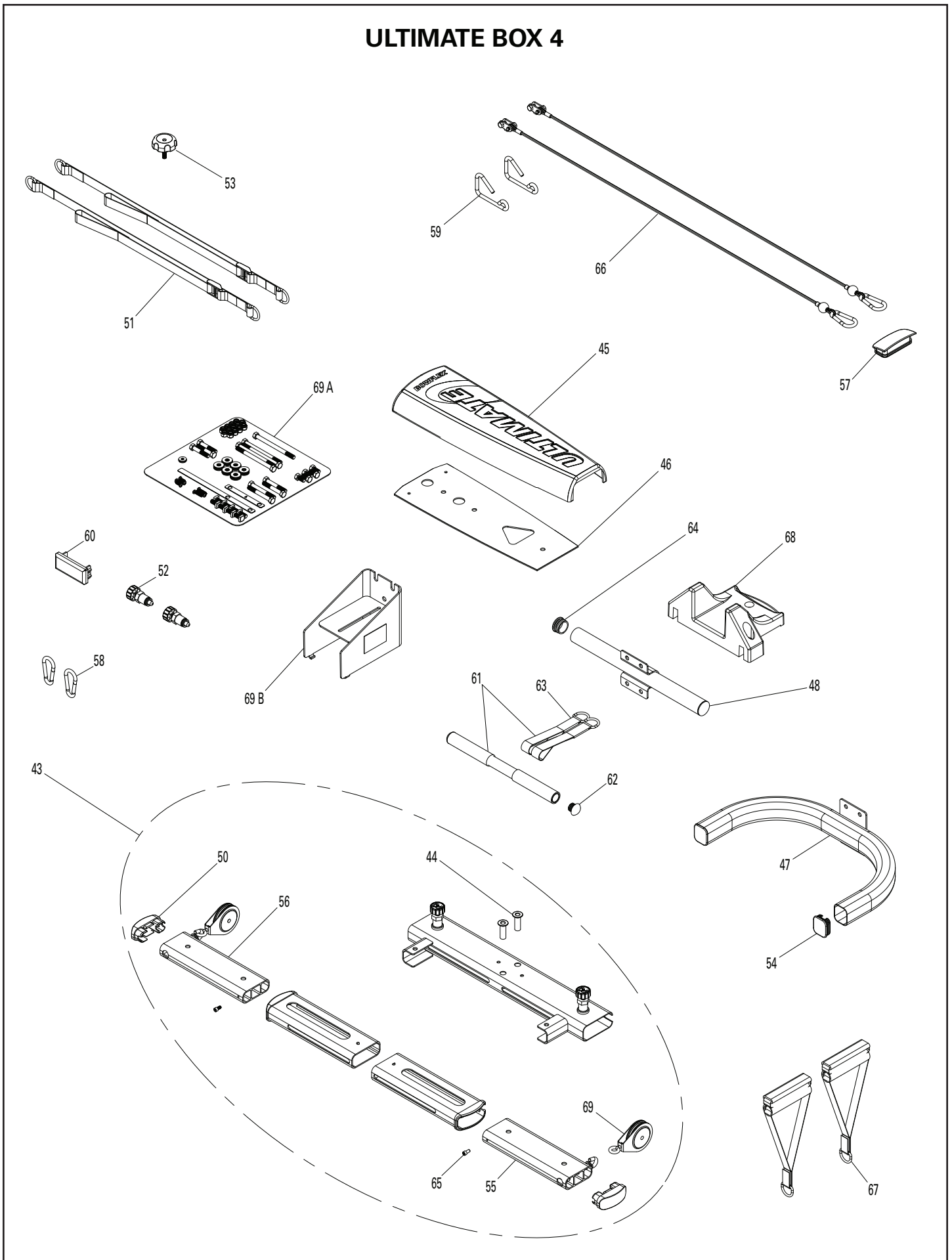
# BOWFLEX ULTIMATE

## ULTIMATE BOX 3



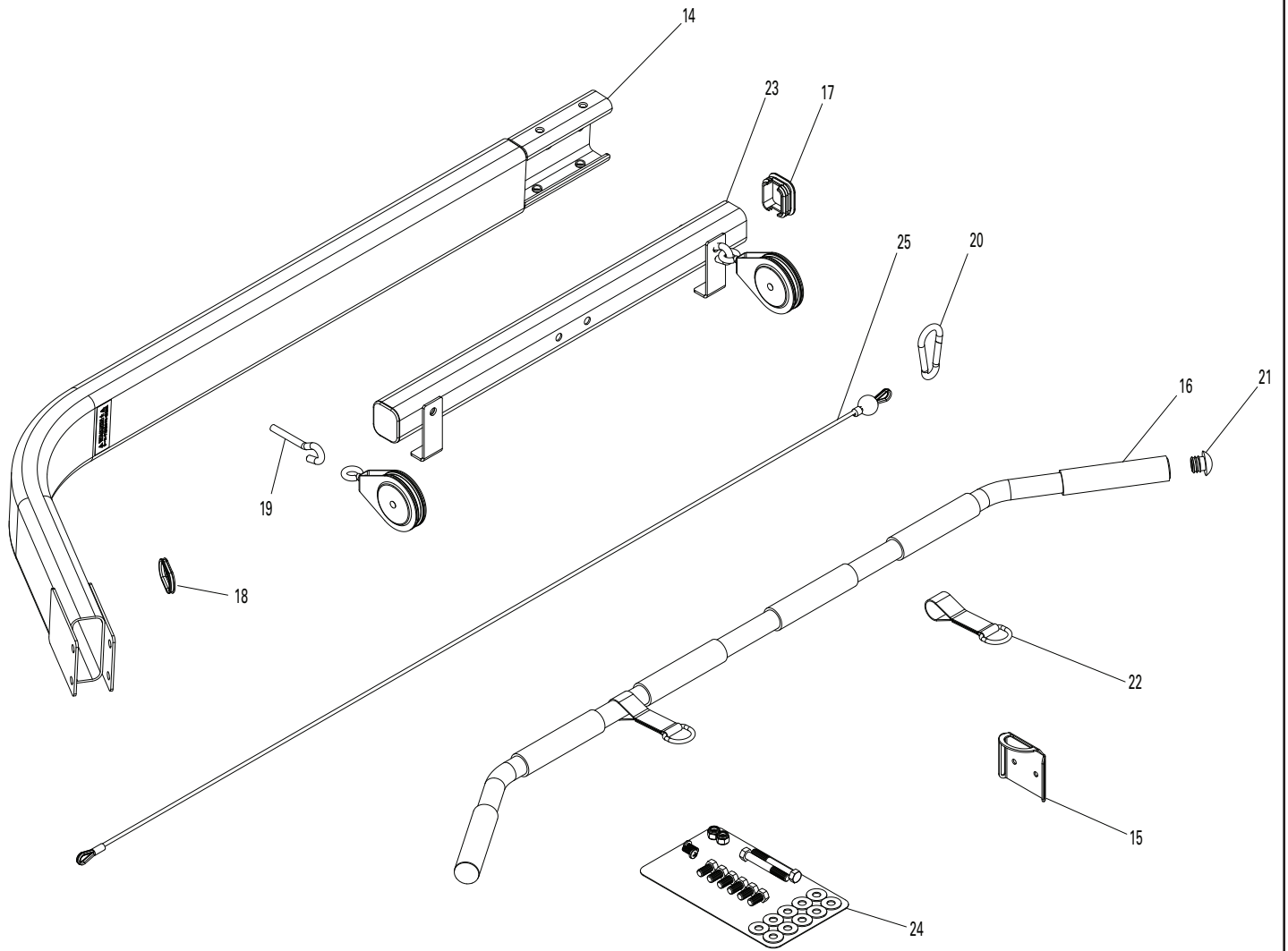
# BOWFLEX ULTIMATE

## ULTIMATE BOX 4



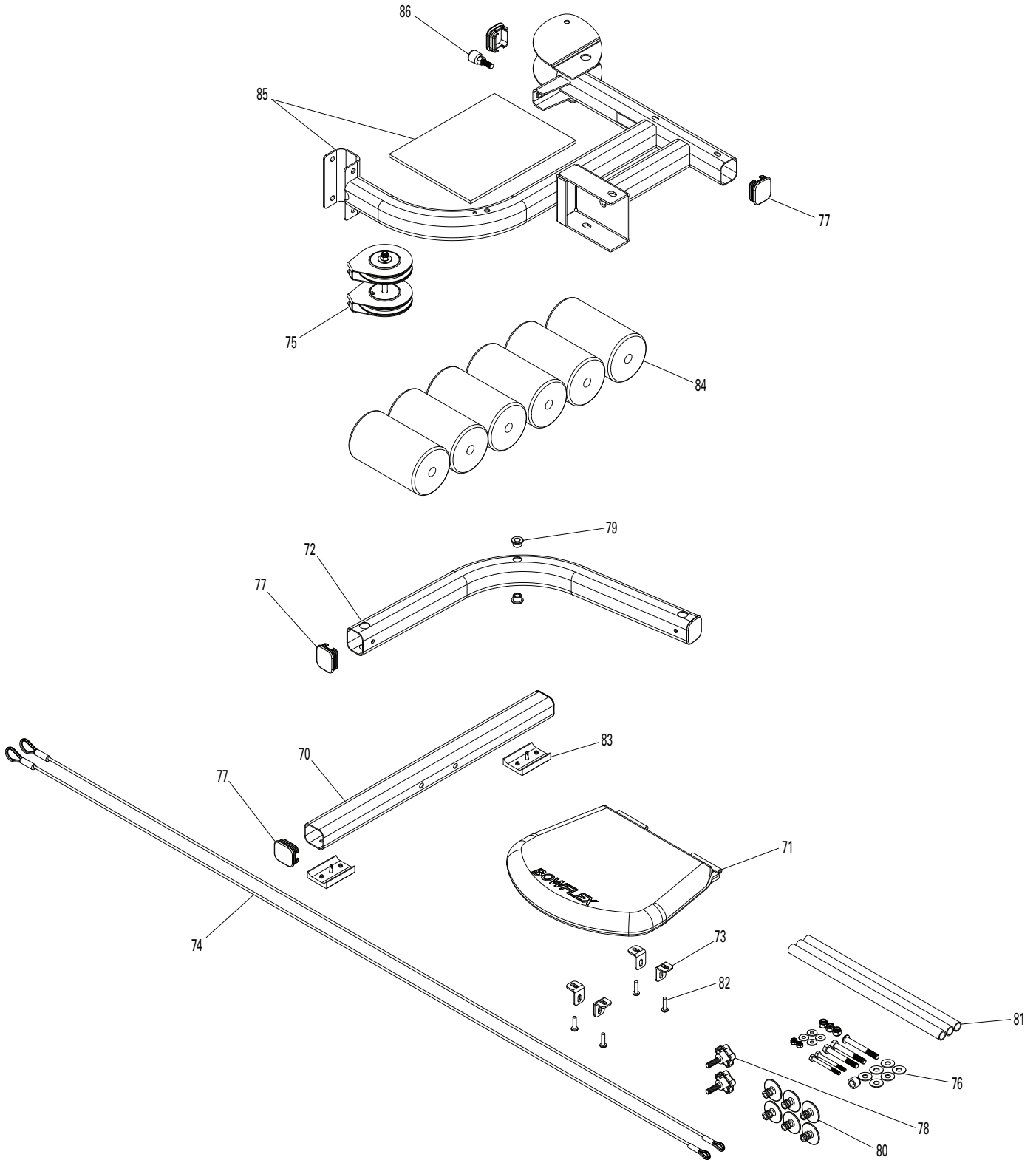
# BOWFLEX ULTIMATE

## ULTIMATE LAT ATTACHMENT BOX



# BOWFLEX ULTIMATE

## ULTIMATE LEG EXTENSION BOX



# BOWFLEX ULTIMATE

REF #	DESCRIPTION	PART #	REF #	DESCRIPTION	PART #
	<b>Box 2, Ult</b>	<b>10200</b>	42	Kit, Ult Pulley, Pair	51360
1*	Video/Manual Assy Ult w/poster	11752		<b>Box 4, Ult</b>	<b>11818</b>
2*	DVD, Ult Instructional	000-4939	43	Assy, Ult Adjustable Pulley	10011
3	Assy, Ult Left Main Frame	10002	44	Spacer, Ult Adj Pulley Bolt	10012
4	Assy, Ult Right Main Frame	10003	45	Rest, Ult Frnt Incln Bench w/D	10015
5	Frame, Ult Squat	10004	46	Rest, Ult Back Incline Bench	10016
6	Platform, Ult Squat	10005	47	Leg, Ult Rear	10036
7	Clip, Ult Cable	10006	48	Assy, Ult Leg Press Tube	10039
8	Cap, End 1-3/4x 2	10083	49	Sleeve, Ult Pulley Slide	10042
9	Assy, Transport Wheel	90211	50	Cap, Ult Pulley Slide	10043
10	Foot, 2x3 w/screw	10813	51	Strap, Adjustable Squat	10073
11	Foot, Ult 13/16x2 w/screw	10388	52	Knob, Ult Locking	10074
12	Pad, Ult Velcro Round	11654	53	Knob, Ult Leg Threaded 2-1/4x1	10075
13	Pulley, Ult w/Velcro Pad	10061	54	Cap, End 1-3/4x 2	10083
13A	Assy, Ult Lower Lat Tower	17625	55	Assy, Ult Left Pulley Slide	10145
	<b>Box, Ult Lat Attachment</b>	<b>10215</b>	56	Assy, Ult Right Pulley Slide	10146
14	Tower, Ult Upper Lat	10031	57	Cap, Ult Lower Lat Tube End	10201
15	Bracket, Ult Hook	10032	58	Hook, Steel Snap	50334
16	Assy, Ult 50" Bent Lat Bar	10037	59	Hook, Rod	90220
17	Cap, End 1-3/4x 2	10083	60	Cap, Seat Rail End	90222
18	Grommet, Lat Cable Storage	10089	61	Bar, T-Curl/Tricep Press	90640
19	J-Bolt, 3/8 X 3-1/2	10198	62	Cap, Pro 1x14-20Ga Round End	20205
20	Hook, Steel Snap	50334	63	Strap, T-Bar	95000
21	Cap, Pro 1x14-20Ga Round End	20205	64	Cap, 1 1/2 14GA. Black End	90185
22	Strap, Lat/Squat Bar	95001	65	Screw, Black 1/4x5 SHC	10191
23	Tube, Ult Lat Tower Pulley	10389	66	Cable, Rod Warranty Kit, Pr	11852
24	Card, Ult Lat Hardware	10078	67	Handgrip, Adj (Pair)	17100
25	Assy, Ult Lat Cable	51353	68	Bracket, Ult Incline Support	11804
	<b>Box 3, Ult</b>	<b>11816</b>	69	Pulley, Generic	90177
26	Rail, Ult Seat	10014	69A	Card, Ult Hardware	17397
27	Seat, Ult Upholstered	10017	69B	Frame, Rod Holder w/Labels	17643
28	Block, Ult Rail Spacer	10021		<b>Ult Leg Extension</b>	<b>51489</b>
29	Tube, Ult Rail Spacer	10022	70	Tube, Ult Leg Ext Foot	10052
30	Cup, Bench w/Screw	90160	71	Seat, Ult Leg Ext	10053
31	Hinge, Seat	80179	72	Tube, Ult Leg Ext Pivot	10054
33	Belt, Leg Press	90217	73	Bracket, Ult L	10055
34	Bar, 48 Long w/Foam Grips	90650	74	Cable, Ult Leg Ext	51492
35	Cap End, Flat Round	11418	75	Kit, Ult Leg Ext Pulley	51481
36	Strap, Lat/Squat Bar	95001	76	Card, Ult Leg Ext Hardware	10059
37	Kit, Ult Bench Warranty	11809	77	Cap, End 1-3/4x 2	10083
38	Assy, Pro Seat Bracket Wrnty	12340	78	Knob, 3/8x1 Threaded	90161
39	Screw, Black 1/4-20x1 PPHM	10165	79	Bushing, Leg Ext Pivot	90189
40	Bracket, Bench Hinge w/Screws	11824	80	Cap, 3/4 End	90218
41	Assy, Ult Seat w/Bracket	10023	81	Tube, 3/4" Chrome Roller	95206
			82	Screw, 1/4-20x3/4 PPHM	90150



# BOWFLEX ULTIMATE

REF #	DESCRIPTION	PART #	REF #	DESCRIPTION	PART #
83	Foot, 2x3 w/screw	10813			
84	Rollers, Foam	50304			
85	Box, Ult Warranty Leg Ext	51490			
86	Stop, Ult Rub Bumper w/Hxn	51484			
87**	Generic 310# Rod Box	001-8042			
*	ITEMS NOT SHOWN				
**	FULL EXPLODED VIEW PG 3				

R1	HOLDER, ROD PACK	10046
R2	ROD, 5#	000-6572
R3	CAP, END ROD 5#	80208
R4	ROD, 10#	000-6573
R5	CAP, END ROD 10#	80209
R6	ROD, 30#	000-6574
R7	CAP, END ROD 30#	80210
R8	ROD, 50#	000-6575
R9	CAP, ROD END 50#	80211
R10	SCREW, PM #8 X .50	90228

Not Shown Assy, Ult Squat Cable

51350